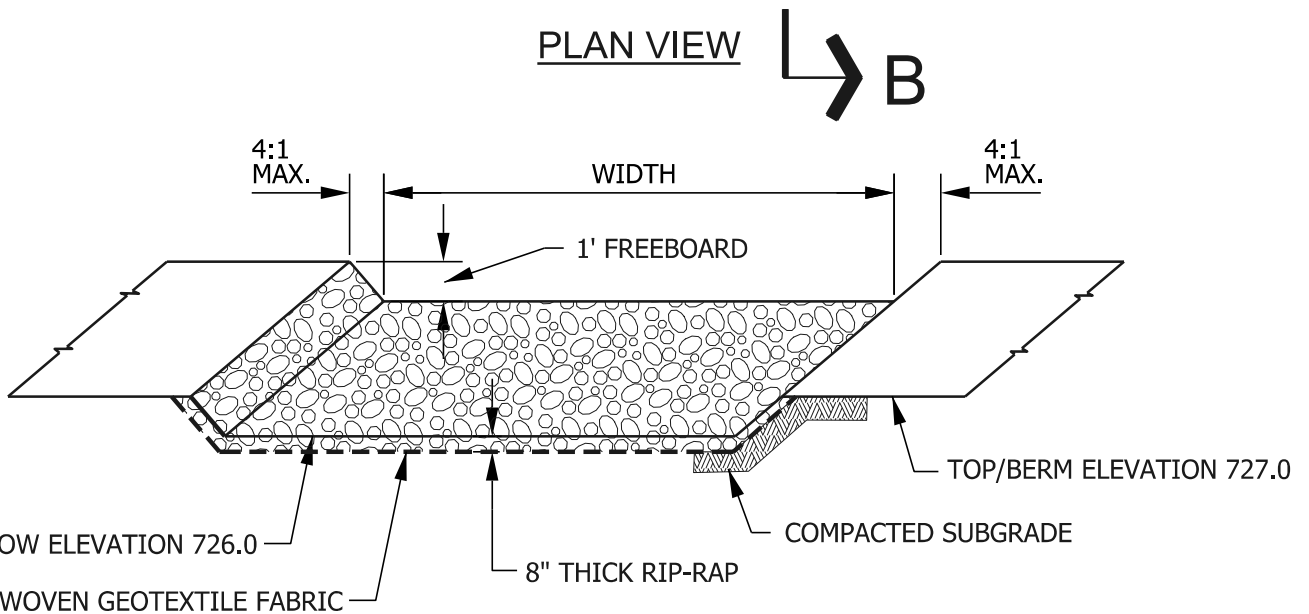
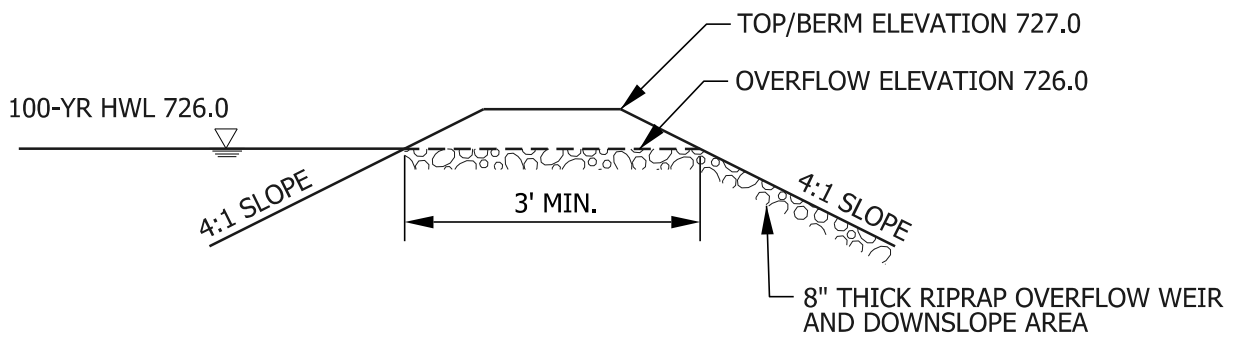


**PLAN VIEW**



**SECTION A - A**



**SECTION B - B**

**NOTES:**

1. FINISHED FLOOR ELEVATIONS OF ADJACENT STRUCTURE SHALL BE ELEVATED AT LEAST ONE FOOT ABOVE PEAK 100-YEAR WATER SURFACE ELEVATION THROUGH OVERFLOW WEIR.
2. WOVEN GEOTEXTILE FABRIC SHALL MEET OR EXCEED STANDARDS OF IUM MATERIAL SPECIFICATION 592, TABLE 1, CLASS I, II, OR III.

NOT TO SCALE

