

Protecting Our Water Environment



Metropolitan Water Reclamation District of Greater Chicago

***MONITORING AND RESEARCH
DEPARTMENT***

REPORT NO. 14-18

CONTROLLED SOLIDS DISTRIBUTION REPORT

FOR FIRST QUARTER 2014

June 2014

Protecting Our Water Environment

BOARD OF COMMISSIONERS

Kathleen Therese Meany
President
Barbara J McGowan
Vice President
Mariyana T. Spyropoulos
Chairman of Finance
Michael A. Alvarez
Frank Avila
Cynthia M. Santos
Debra Shore
Kari K. Steele
Patrick D. Thompson

Metropolitan Water Reclamation District of Greater Chicago

100 East Erie Street

Chicago, Illinois 60611-3154

312.751.5190

THOMAS C. GRANATO, Ph.D.

Director of Monitoring and Research

312.751.5190 f: 312.751.5194

thomas.granato@mwr.org

June 6, 2014

Mr. S. Alan Keller, P.E.
Manager, Permit Section
Illinois Environmental
Protection Agency
1021 North Grand Avenue East
P.O. Box 19276
Springfield, IL 62794-9276

Dear Mr. Keller:

Subject: Metropolitan Water Reclamation District of Greater Chicago – Controlled Solids Distribution Program Illinois Environmental Protection Agency Permit No. 2010-SC-0200, First Quarter (January – March 2014)

This letter transmits information and data for the Metropolitan Water Reclamation District of Greater Chicago – Controlled Solids Distribution Program for the first quarter (January – March 2014), as required by Illinois Environmental Protection Agency Permit Nos. 2010-SC-0200 and 2010-SC-0200-2.

Estimated sludge mass flow schematic diagrams for solids processed during January – March 2014 are shown in Figure 1 – John E. Egan Water Reclamation Plant (WRP), Figure 2 – Calumet WRP, and Figure 3 – Stickney WRP.

Biosolids were not distributed under the Controlled Solids Distribution Program to any site during the first quarter of 2014.

Very truly yours,

Thomas C. Granato, Ph.D.
Director
Monitoring and Research

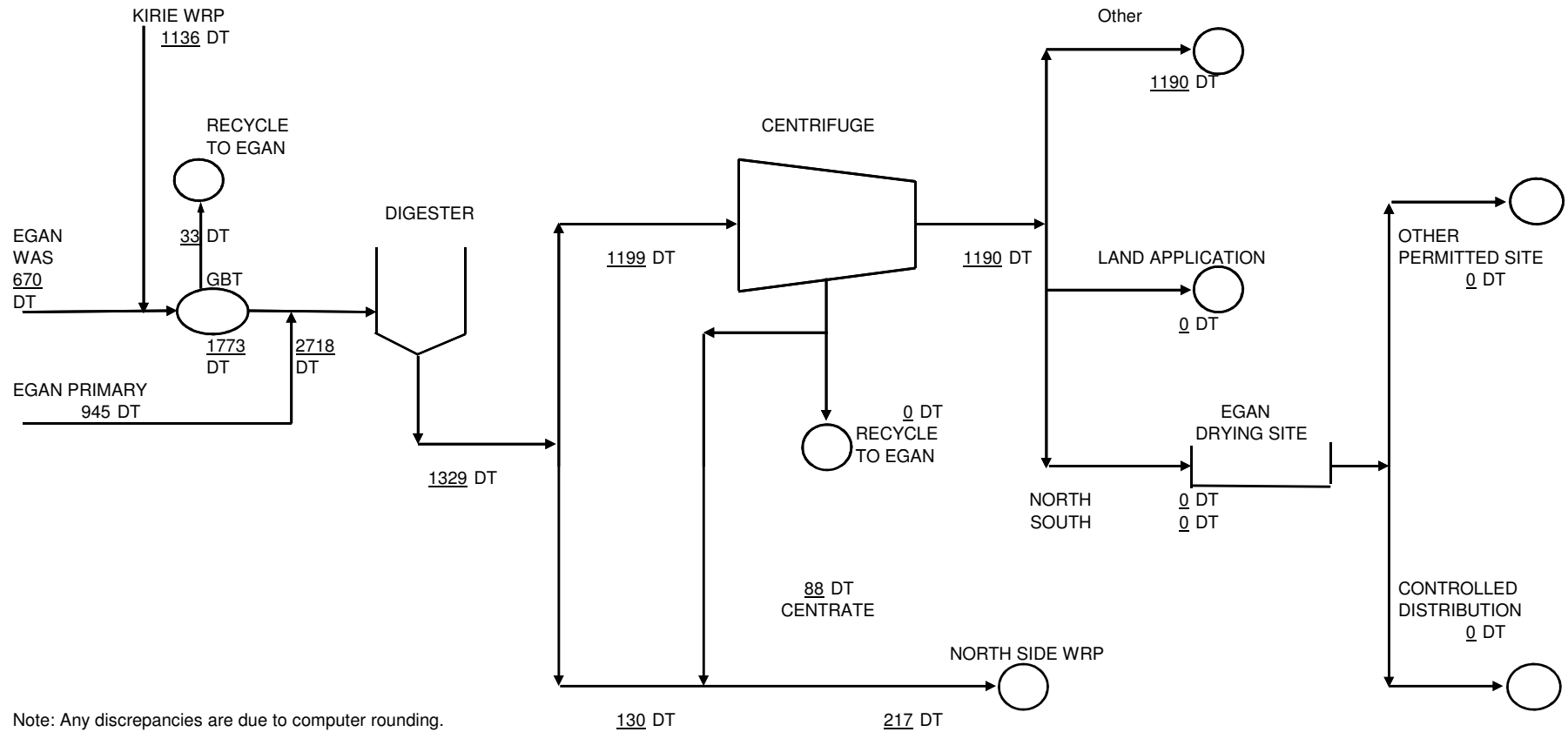
TCG:OO:cm

Attachments

cc: Mr. V. Aistars (USEPA)
Mr. J. Patel (IEPA)

J.E. EGAN WRP SOLIDS DISTRIBUTION- FIGURE 1

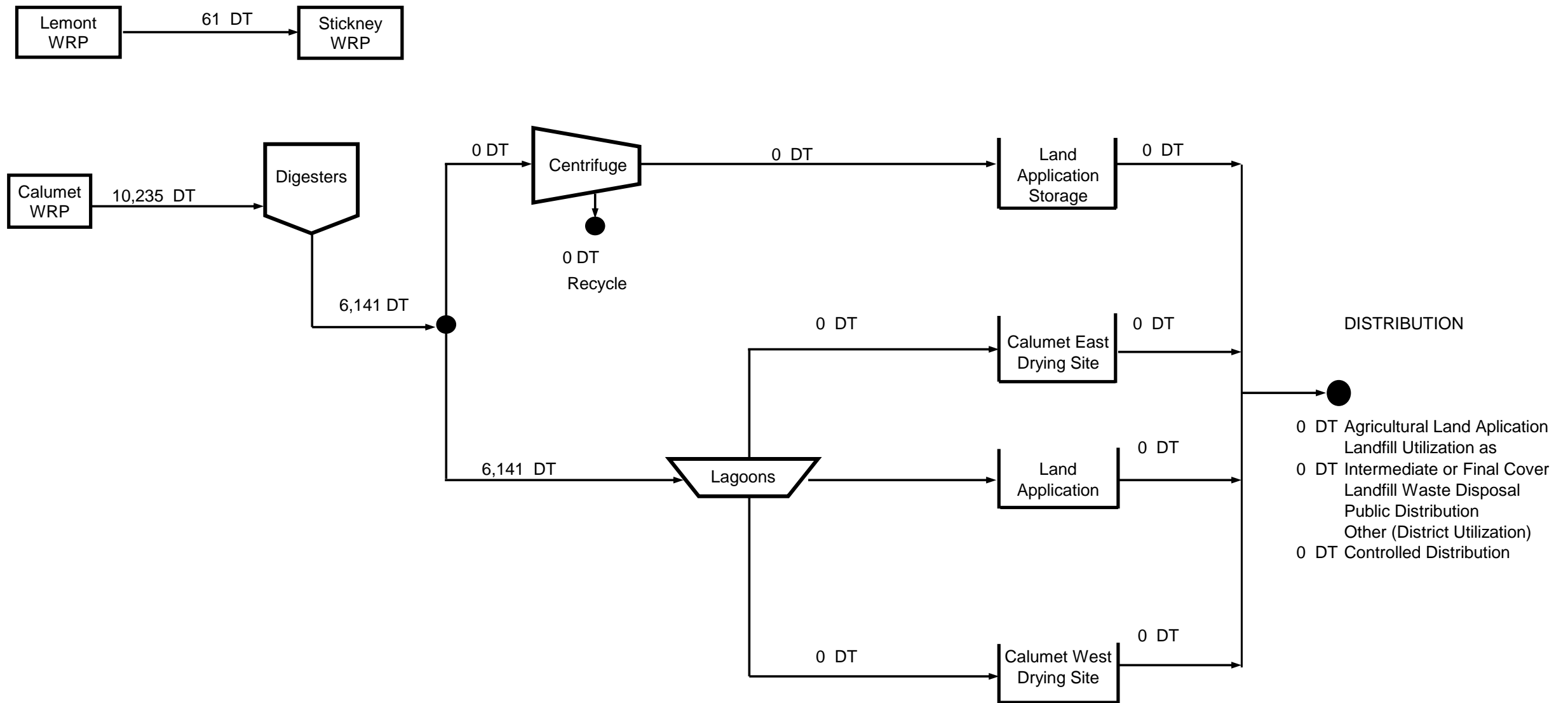
January - March 2014



Note: Any discrepancies are due to computer rounding.
Centrifuge draw DT exceeds Centrifuge feed in January and March because of sample anomalies. Centrate DT are estimated those months.

CALUMET WATER RECLAMATION PLANT SOLIDS DISTRIBUTION FOR 1st Quarter 2014

Figure 2



STICKNEY WATER RECLAMATION PLANT SOLIDS DISTRIBUTION FOR 1st Quarter 2014

FIGURE 3

