

METROPOLITAN WATER RECLAMATION DISTRICT OF GREATER CHICAGO

Criteria for Compliance With Control Manhole/Sampling Chamber Installation and Access Requirements

Article IV, Section 2 of the Sewage and Waste Control Ordinance (Ordinance) of the Metropolitan Water Reclamation District of Greater Chicago (District) governs the installation and access requirements for control manholes and/or sampling chambers, as indicated below.

Each person subject to the terms of this Ordinance who is a significant industrial user shall install and maintain, at its own expense, a control manhole or sampling chamber for each separate discharge conveying process wastewater from its facility to the sewerage system. Each such control manhole or sampling chamber shall have ample room to allow the District to perform inspections, sampling, and flow measurement operations.

Each such control manhole shall be located outside of any buildings or enclosed spaces and as near to the facility site boundary as practical; shall not be obstructed by temporary or permanent construction, manufacturing operations or activities, landscaping, parked vehicles or any other activities of the person; and shall be safely and directly accessible to representatives of the District at all times, without restriction of any kind.

Persons subject to this Ordinance who are not significant industrial users, as defined herein, may also be required to install control manholes or sampling chambers in conformance with the provisions of this section, upon the direction of the District's Executive Director.

Persons subject to this requirement of the Ordinance, who represent that this requirement cannot be reasonably complied with, may set forth said representations in writing to the Executive Director and be given an opportunity to be heard regarding said representations. The Executive Director shall make a determination, in writing to the person, granting leave from this requirement upon proof that compliance cannot be reasonably obtained, or dismissing said representations as unfounded.

Any person whose request for exemption from the requirements of this section has been denied by the District, may request a review of the District's determination by the Board. Such request must be made in writing, to the Director of Monitoring and Research and must be received by the District within 30 days of the date of notification that the request for exemption has been denied. The request for review must clearly state the reason(s) why such person believes that the District's denial of the requested exemption should be reviewed.

METROPOLITAN WATER RECLAMATION DISTRICT OF GREATER CHICAGO

Criteria for Compliance With Control Manhole/Sampling Chamber Installation and Access Requirements

The Director of Monitoring and Research will inform the Executive Director of all requests for review. The Executive Director shall order that a hearing be held for each request for review. The review hearing shall comply with the hearing procedures of Article VI, Section 3 of the Ordinance and shall be limited in scope to the issues raised in the person's initial request for exemption from this section. The final administrative decision on each review will be made by the Board after it receives a report with recommendations from the Review Hearing Officer.

If a building or enclosed space contains more than one industrial user, then each significant industrial users therein, shall install and maintain, at its own expense, a control manhole or sampling chamber for each discharge from its facility, which shall comply with all of the requirements set forth herein. All process wastewater flows from the facility shall, at all times, pass through a control manhole installed in conformance with this Ordinance and no process wastewater flows shall be discharged without passing through a control manhole or sampling chamber acceptable to the District. Each such control manhole or sampling chamber shall be accessible to representatives of the District at all times, without restrictions of any kind.

Persons who are required to construct a control manhole or sampling chamber to comply with this section shall submit a proposal to, and receive approval from, the District prior to undertaking construction of said control manhole or sampling chamber. The proposal submitted shall be certified by a Professional Engineer registered in the state of Illinois.

In conjunction with the foregoing, and in an effort to assist in the industrial user, the following establishes the criteria necessary to provide an acceptable control/sampling chamber, and to achieve compliance with Article IV, Section 2 of the Ordinance.

1. Each control manhole/sampling chamber must be located outside the facility, at or near the property boundary.
2. All process wastewater flows from the facility must pass through a control manhole/sampling chamber without capability or possibility of bypassing any control manhole/sampling chamber.
3. Each control manhole/sampling chamber must be constructed in such a manner as to allow for the locked installation of District sampling and flow measurement equipment.

METROPOLITAN WATER RECLAMATION DISTRICT OF GREATER CHICAGO

Criteria for Compliance With Control Manhole/Sampling Chamber Installation and Access Requirements

4. Access to each control manhole/sampling chamber must be unrestricted at all times. If an outside control manhole/sampling chamber is located within a fenced or secured area, unrestricted access must be guaranteed. A key to any locked gate must be provided for use by District personnel.
5. Each control manhole/sampling chamber must be free of all physical, chemical and atmospheric safety hazards.
6. Prior to the installation of any new sampling manhole/sampling chamber, a formal proposal, including site and design drawings, must be submitted to the District for approval. The submitted proposal must be certified by a professional engineer registered in the state of Illinois.

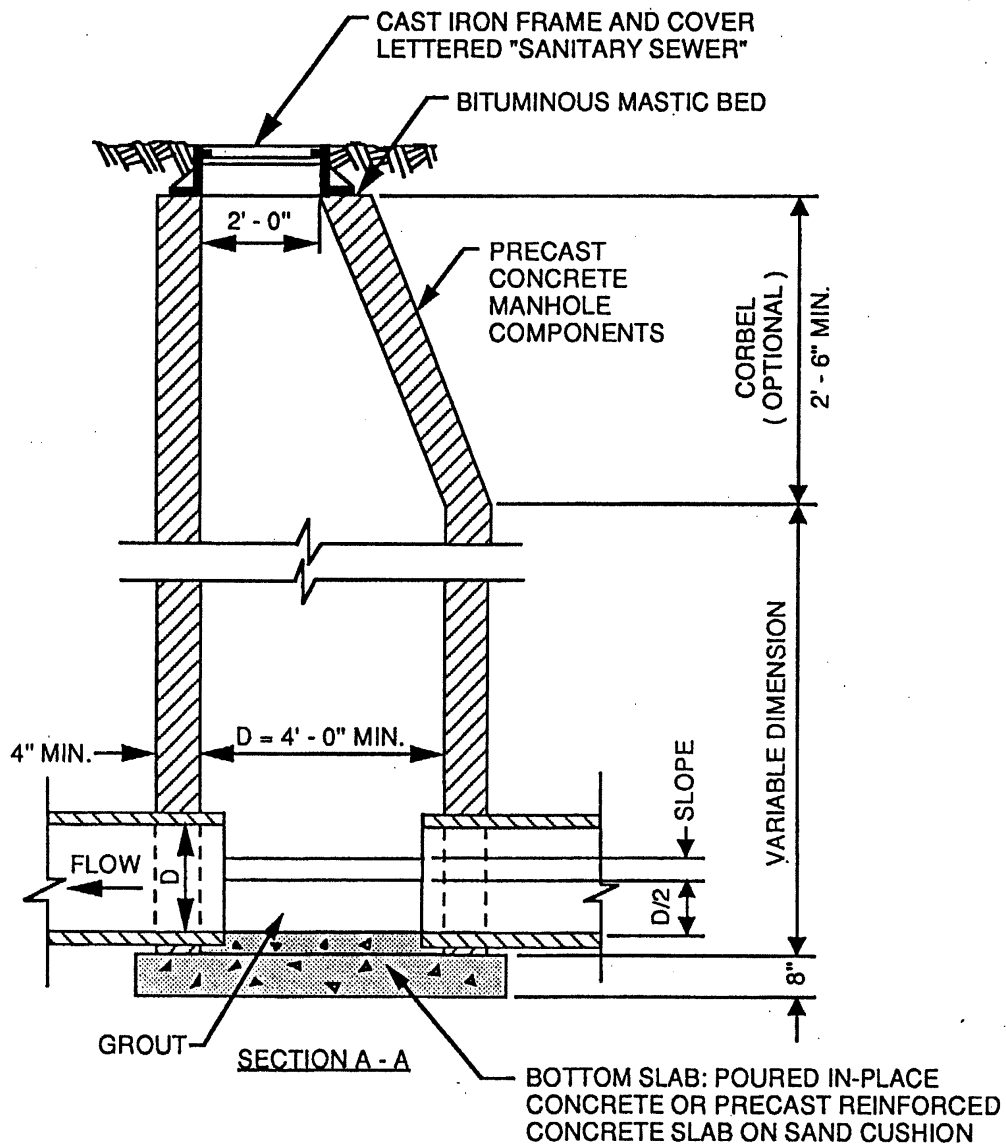
Permits are required for construction of sewers and sewer facilities within the territorial boundaries of the District, whether such construction is on private or public property. A permit is also required for existing buildings when the use of the building changes to a use for which a permit is required. Any sewer construction, replacement or rehabilitation activity must comply with the District's Watershed Management Ordinance (WMO). A copy of the WMO is available on the District's website at www.mwrdd.org. Questions regarding the WMO should be directed to the District's Engineering Department at (312) 751-3260.

METROPOLITAN WATER RECLAMATION DISTRICT OF GREATER CHICAGO

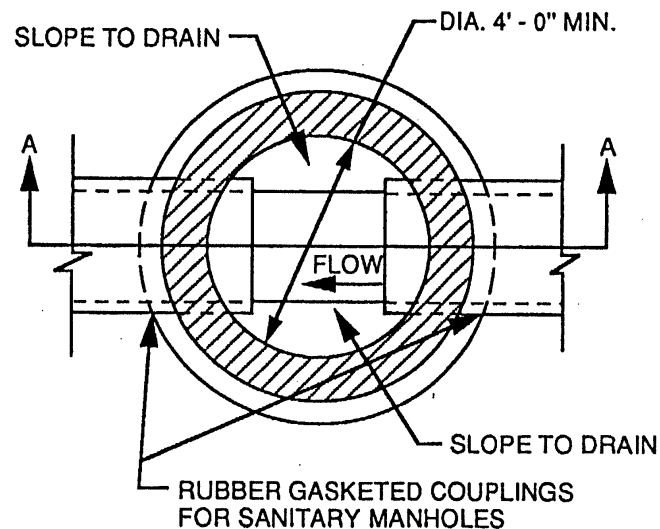
Criteria for Compliance With Control Manhole/Sampling Chamber Installation and Access Requirements

TYPICAL CONTROL MANHOLE

(NOT TO SCALE)



NOTE: 1. IN CASES WHERE A PRIMARY MEASURING DEVICE (PMD) IS PROVIDED, THE PMD SHOULD BE CENTERED DIRECTLY BELOW THE OPENING TO ENABLE VISUAL AND PHYSICAL ACCESS TO THE FLOW CHANNEL FROM GROUND LEVEL.



SECTIONAL PLAN